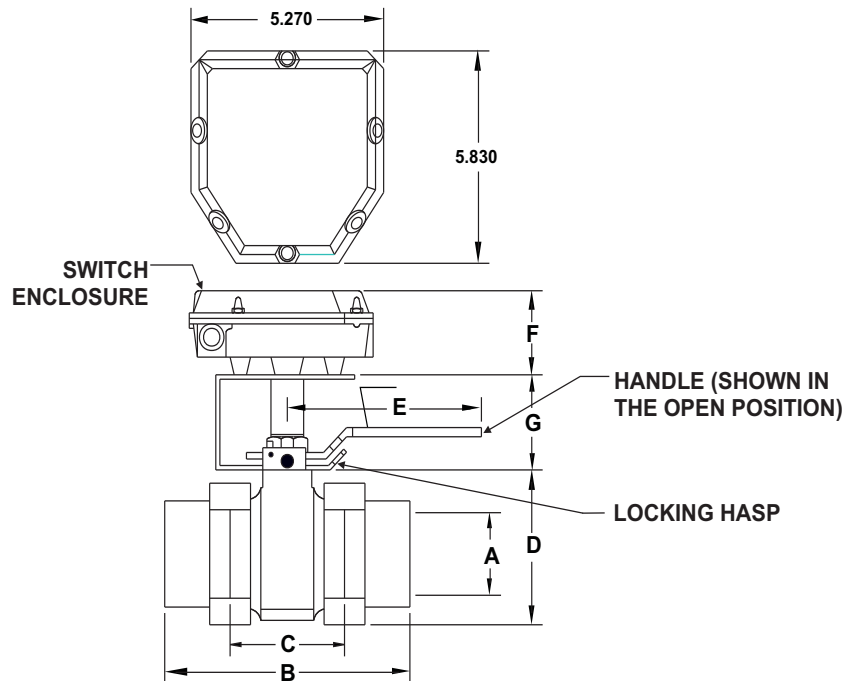


Kidde Fire Systems HPCO2 Component Description



Effective: February 2022
K-81-1250 Rev AC

CO₂ Lock Out Valve With Limit Switch



Assembly Part Number	Size	General Dimensions						
		A	B	C	D	E	F	G
81-934711-000	1/2"	0.660	3.939	1.938	2.250	5.500	2.800	2.500
81-934712-000	3/4"	0.810	4.500	2.188	2.600	5.500	2.800	2.500
81-934713-000	1"	1.000	4.938	2.375	2.990	6.500	2.800	2.500
81-934714-000	1½"	1.440	5.875	2.750	3.870	8.500	2.800	2.750
81-934715-000	2"	1.720	6.875	3.375	4.500	8.500	2.800	2.750

Note: Dimensions are in inches.

MATERIALS

- Body: Carbon Steel with:
 - Ball and Stem: 316 Stainless
 - Seats and Seals: Teflon
- 1. Ball Valve:
 - Pressure Rating 2,500 PSIG
 - Double union end with NPT female pipe connections locking handle and bracket for both open (parallel with valve body) and closed (perpendicular to valve body)
- 2. Limit Switch:
 - Two (2) SPDT Switches
 - NEMA 4, 4X Enclosure
 - Rating:
 - 15 amps, 1/2 hp, 125 to 250 Vac
 - 0.50 Amps, 125 Vdc
 - 0.25 Amps, 250 Vdc
- 3. Lock not included.

EXPORT INFORMATION (USA)

Jurisdiction: EAR
Classification: EAR99
This document contains technical data subject to the EAR.
All trademarks are the property of their respective owners.
©2022 Carrier

This literature is provided for informational purposes only. KIDDE-FENWAL, INC. believes this data to be accurate, but it is published and presented without any guarantee or warranty whatsoever. KIDDE-FENWAL, INC. assumes no responsibility for the product's suitability for a particular application. The fire suppression system design, installation, maintenance, service and troubleshooting must be performed by trained, authorized Kidde Fire Systems distributors for the product to work correctly. If you need more information on this product, or if you have a particular problem or question, contact KIDDE-FENWAL, INC., Ashland, MA 01721 USA. Telephone: (508) 881-2000.

Kidde Fire Systems
400 Main Street
Ashland, MA 01721
Ph: 508.881.2000
Fax: 508.881.8920
kiddefiresystems.com